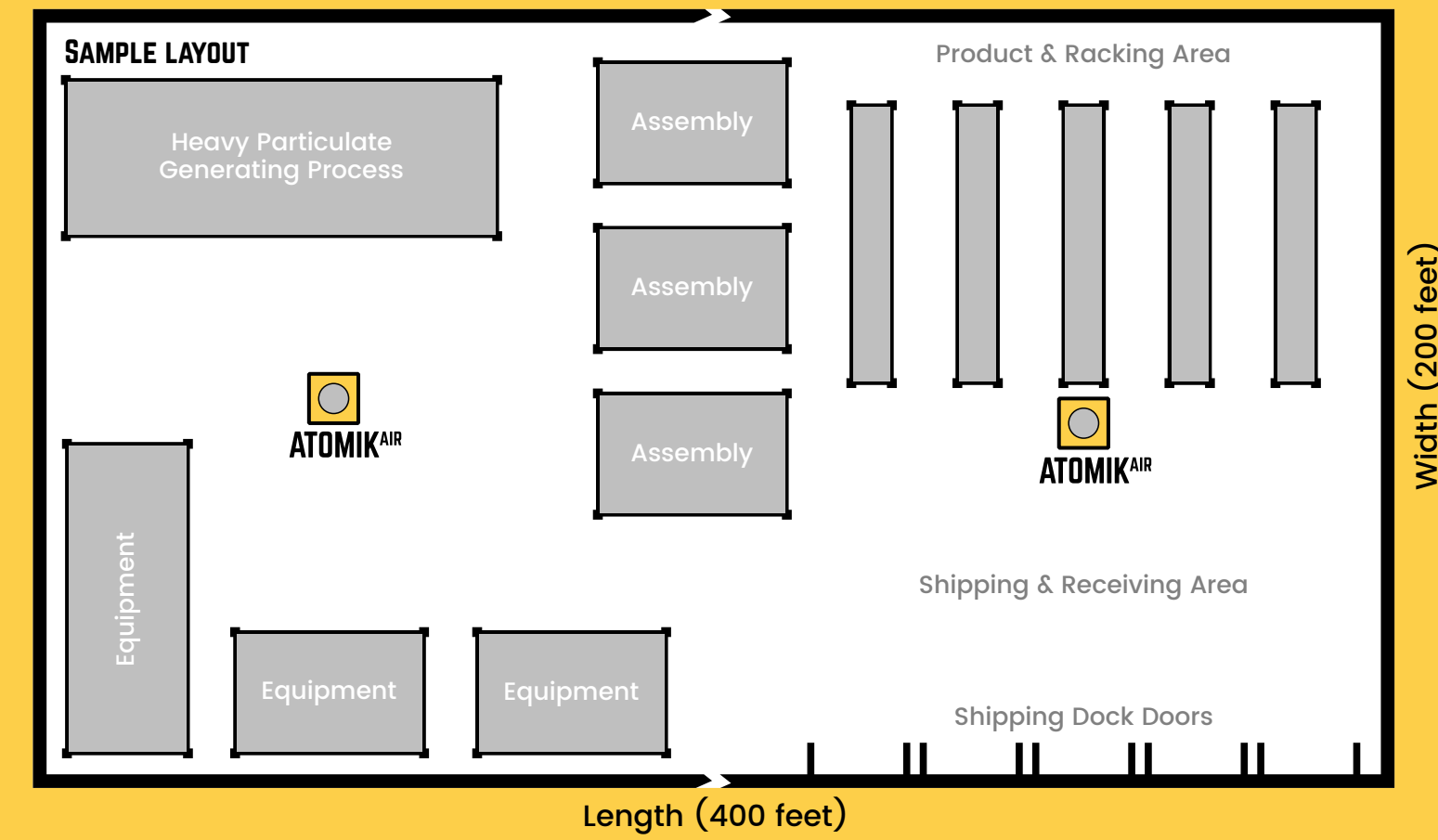
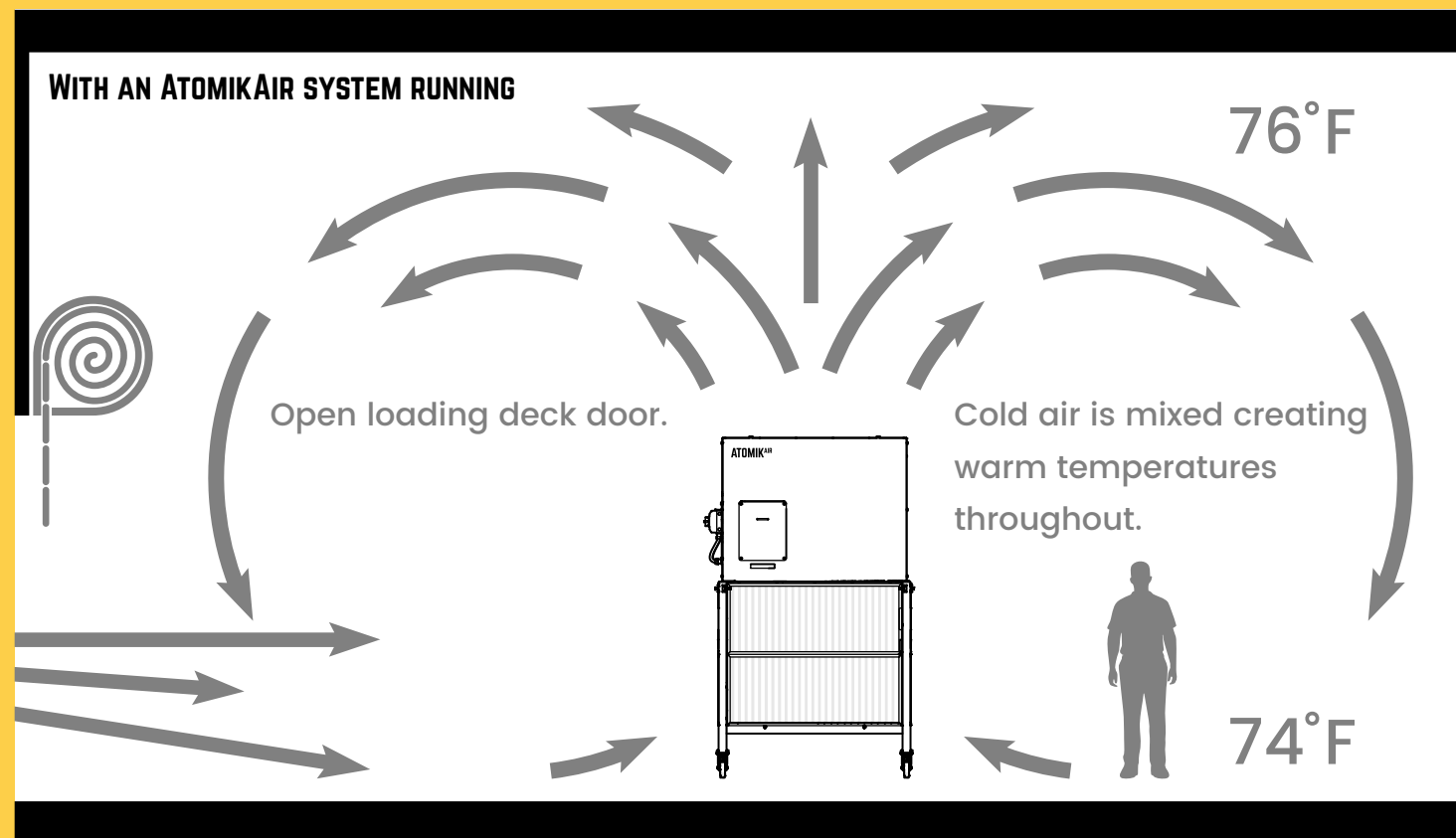
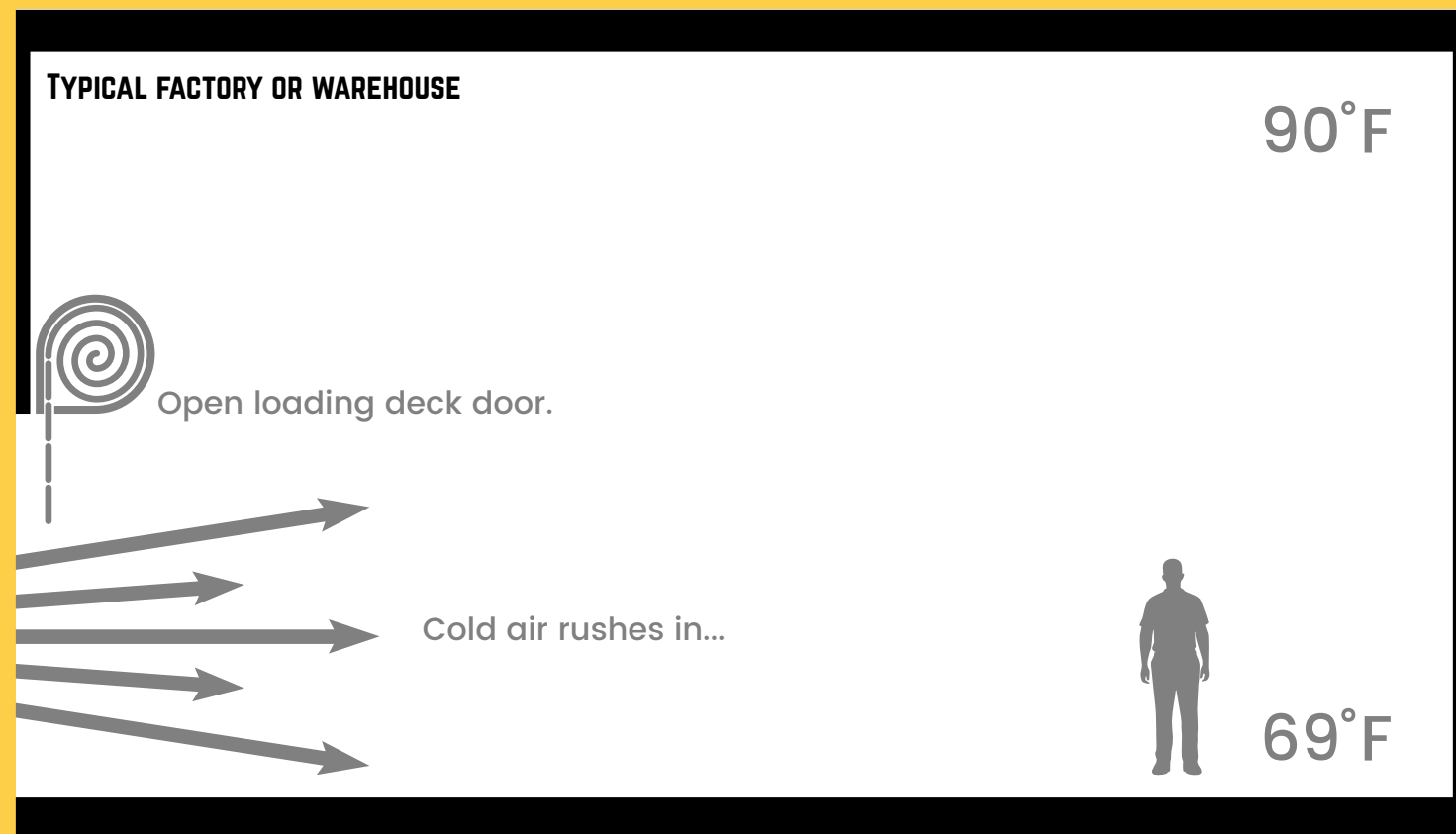
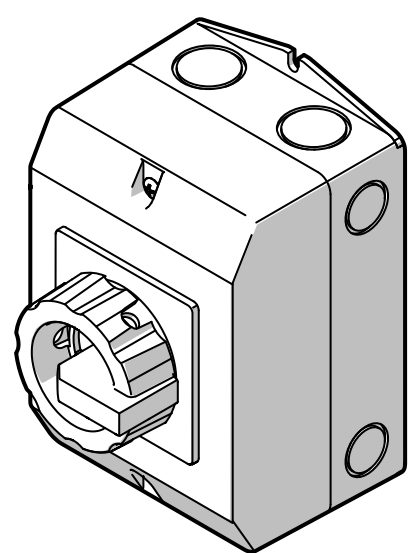


LET'S CLEAR THE AIR

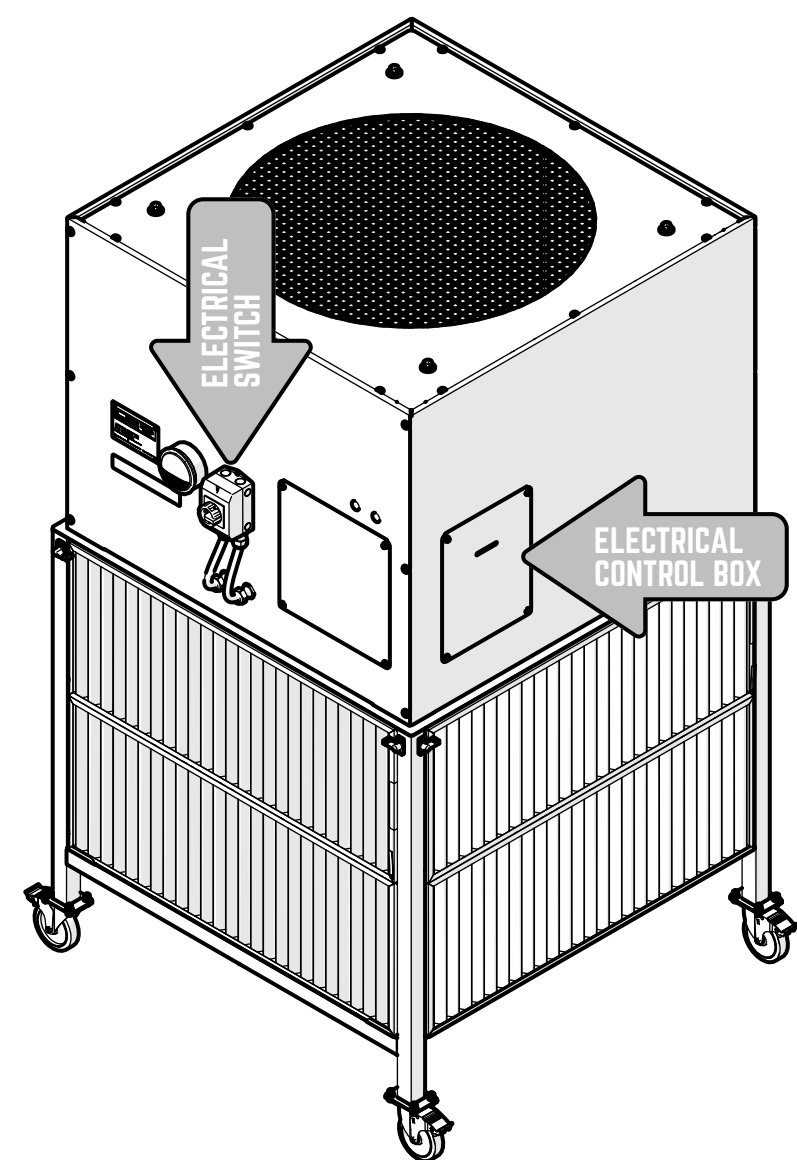


QUICK START GUIDE



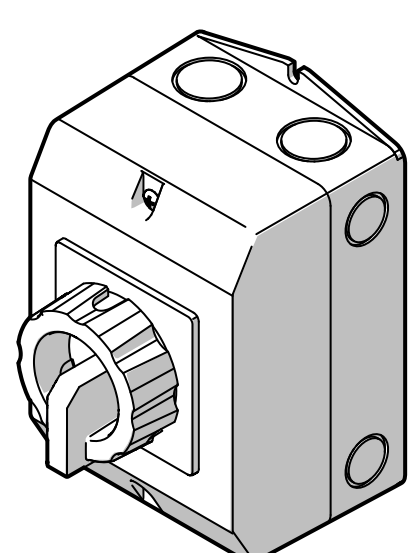
Turn the electrical disconnect switch, located on the side panel, to power the unit on and off while plugged in.

1



When the equipment is powered on, a light is emitted behind the frosted pane of the front access panel of the electrical control box.

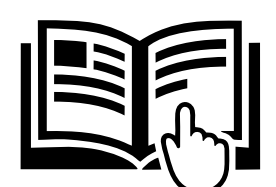
2



This system contains a soft start circuit within the electronics. After turning **ON** the electrical disconnect, please allow 1 minute for the fan to increase to maximum RPM.

1 MINUTE

3



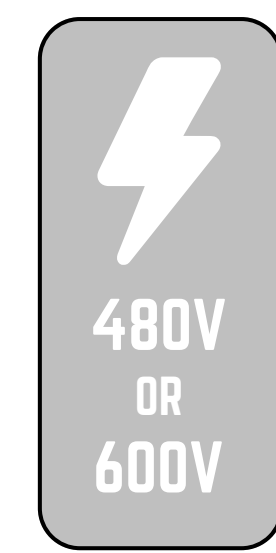
Read the manual thoroughly before operation and retain for future reference.

4



DO NOT plug or unplug the system while the disconnect switch is at the **ON** position. Doing so can cause a ground fault.

5



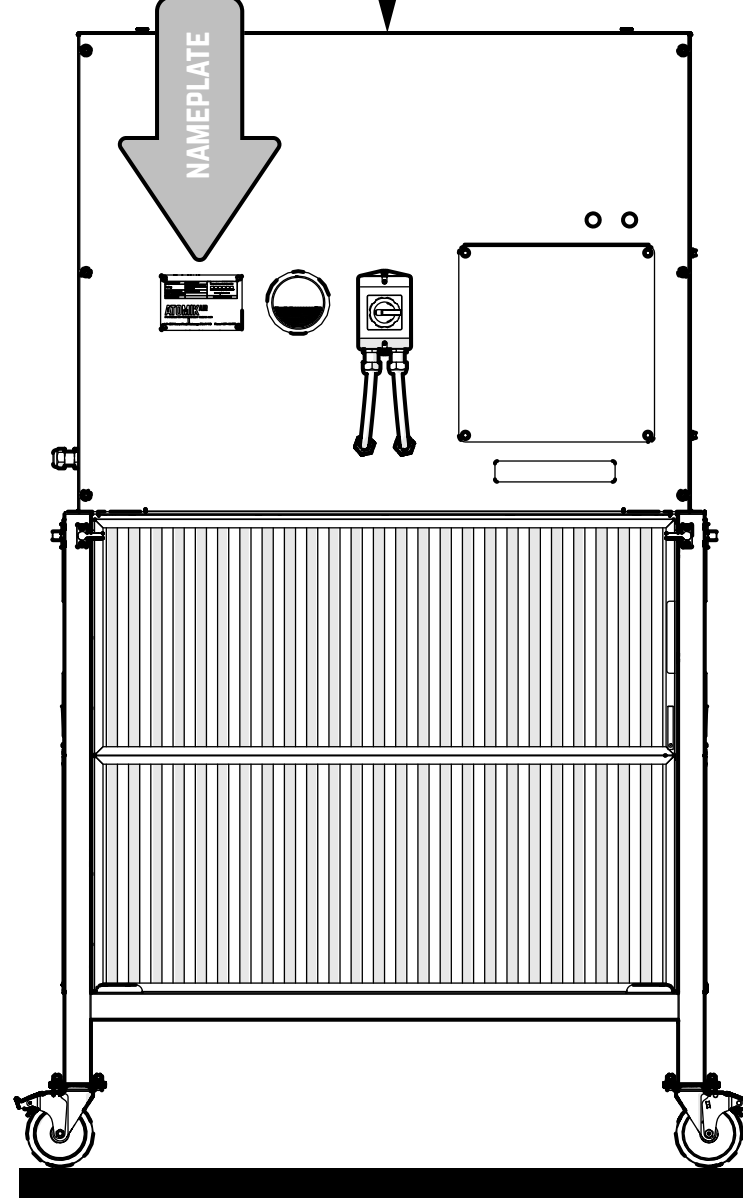
This equipment requires the correct power supply to be present in the facility. Verify the voltage need based on the AtomikAir model located on the side nameplate.



DO NOT install underneath an HVLS fan.



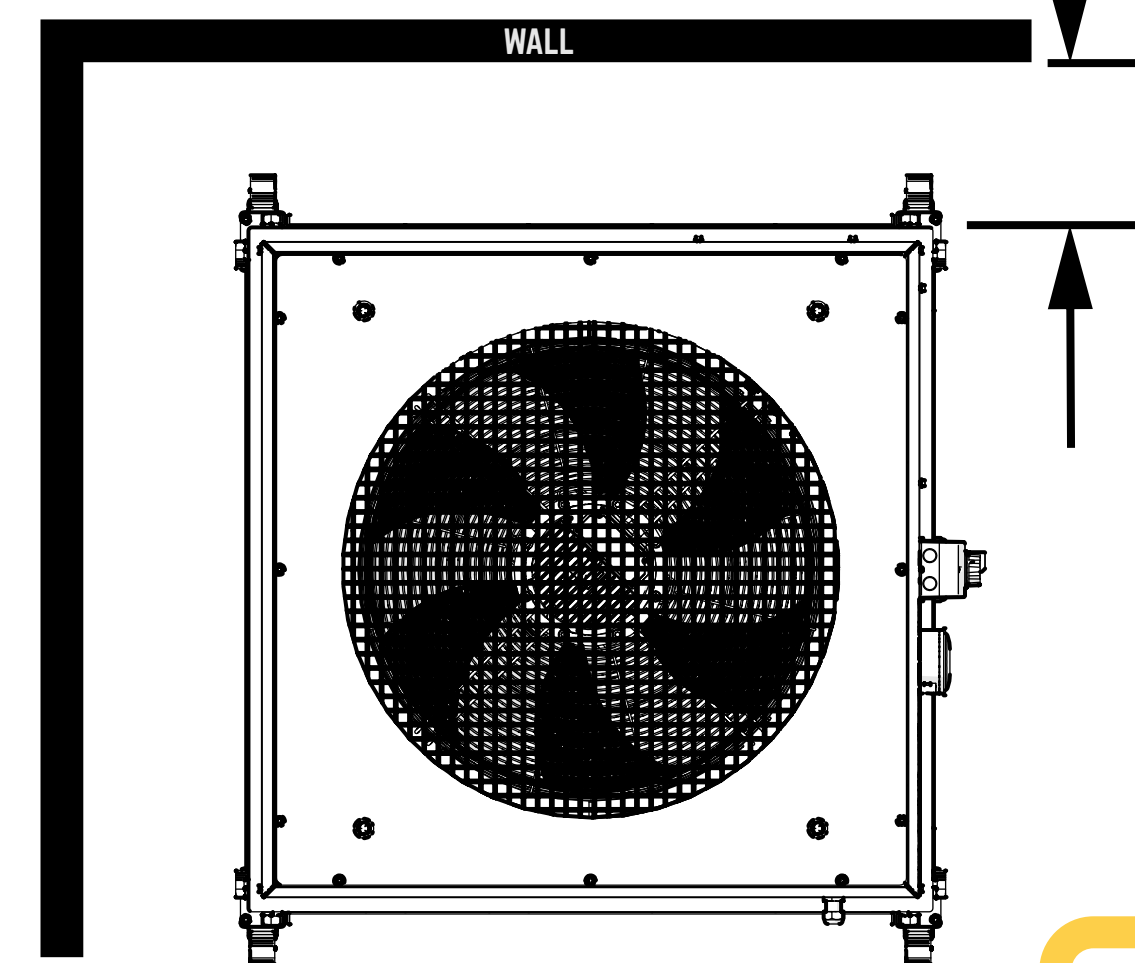
MINIMUM 10 FEET



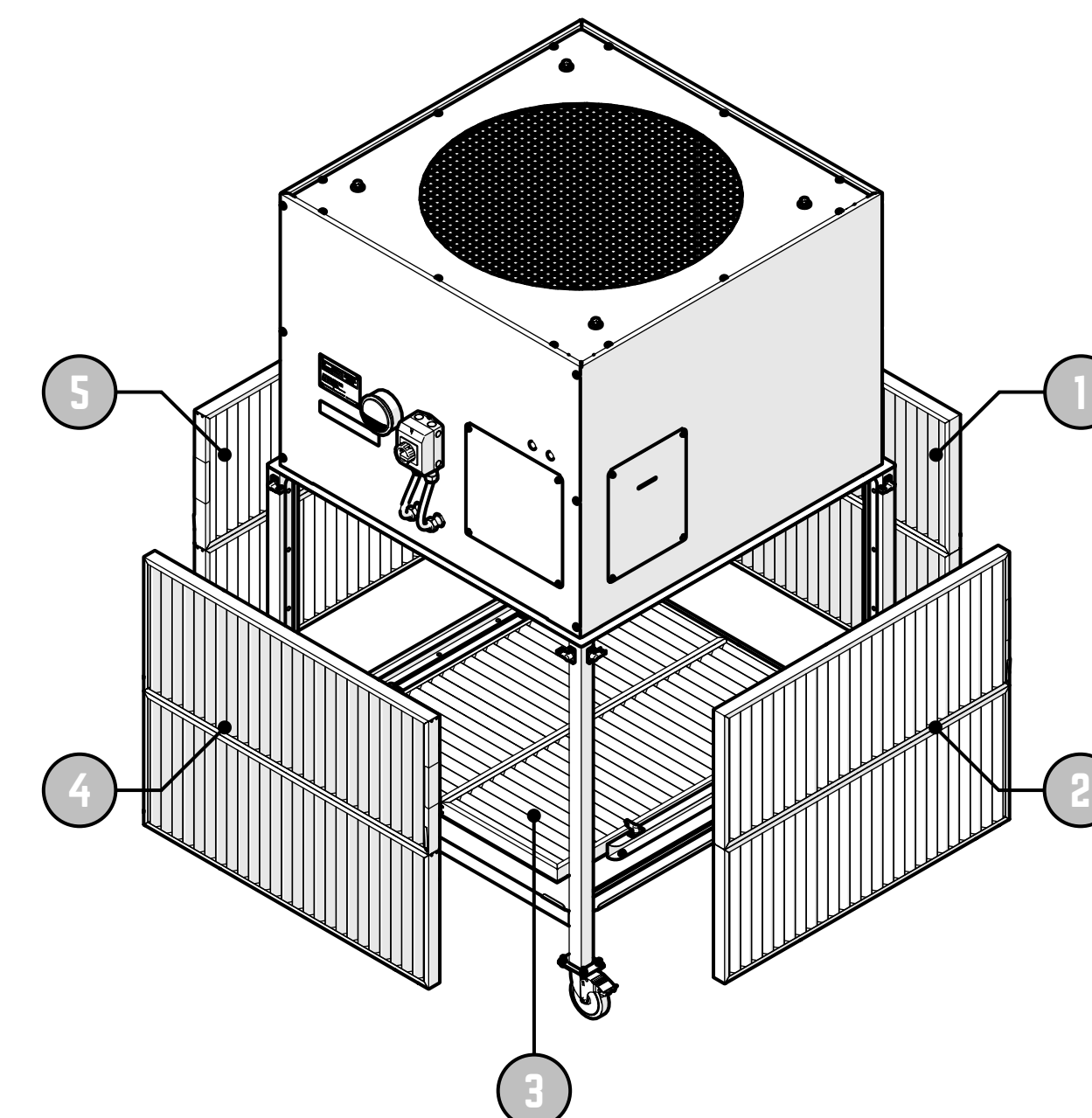
Ensure 10 feet of clearance above system.



MINIMUM 6 INCHES



Ensure 6" clearance from walls.



Ensure all 5 filters are installed and correctly oriented. Particulate will be captured on the side facing out. Always clean filters by applying compressed air to the opposite side.



Scan here to download quick start guide.



ATOMIKAIR
POWERED BY SURGICALLY CLEAN AIR